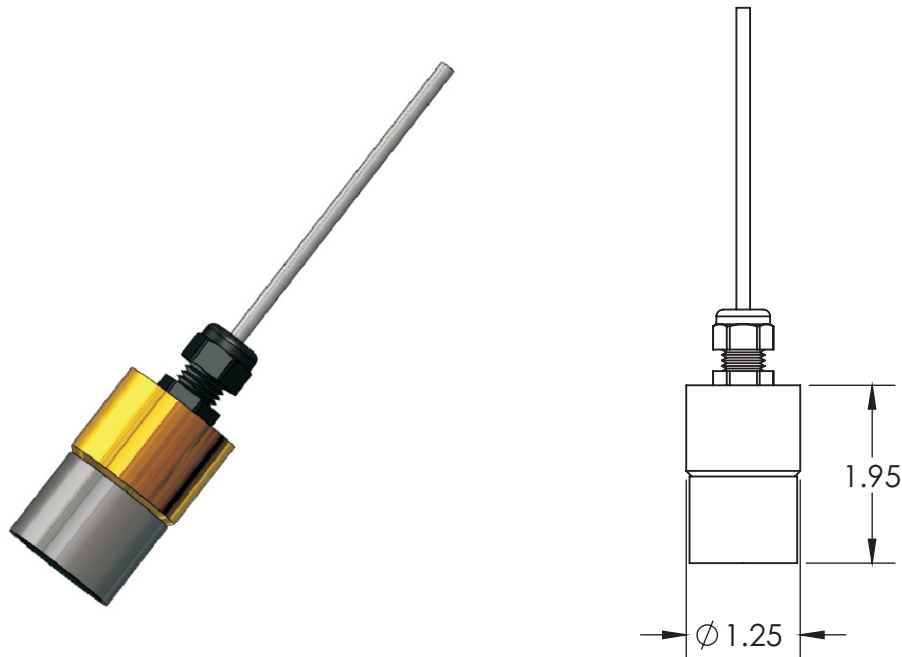


# SEISMIC HYDROPHONE

SQ26-10



The SQ26-10 seismic hydrophone is made with a piezoelectric ceramic cylinder. The piezo element offers a receive sensitivity of -193.5 dB over a broad working bandwidth of 1 Hz - 28 kHz. Seismic hydrophones are designed specifically to maintain accuracy with large changes in both temperature and pressure that are common to deep ocean applications. The SQ26-10 can detect frequencies over the entire audible range, making it suitable for cetacean research or consumer-based applications. Mounting points, connectors, and other parameters can all be customized. Please contact us to discuss your specific requirements.

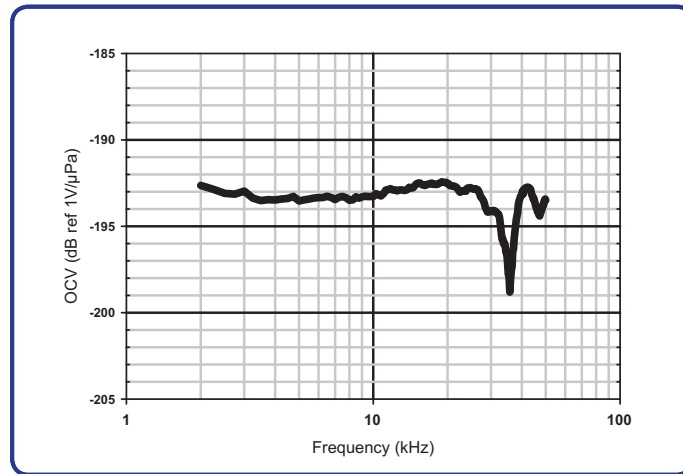


<b>RECEIVE SENSITIVITY</b>	-193.5 dB re 1 V/ $\mu$ Pa @ 20°C
<b>WORKING FREQUENCY</b>	1 Hz - 28 kHz
<b>CAPACITANCE</b>	1.3 nF $\pm$ 15% @ 20°C
<b>OPERATING DEPTH</b>	2000 m

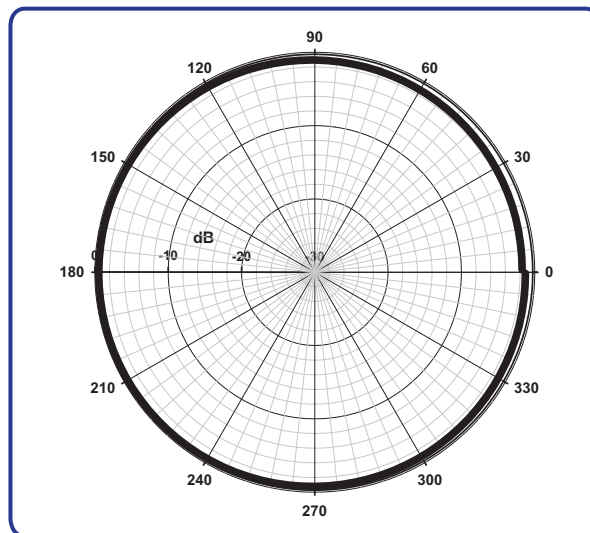


# SEISMIC HYDROPHONE

## SQ26-10



Receive Voltage Response



Directivity Pattern at 10 kHz, Axial Plane

Contact Us via:  
[info@sensortechcanada.com](mailto:info@sensortechcanada.com) +1-705-444-1440  
[www.sensortechcanada.com](http://www.sensortechcanada.com)