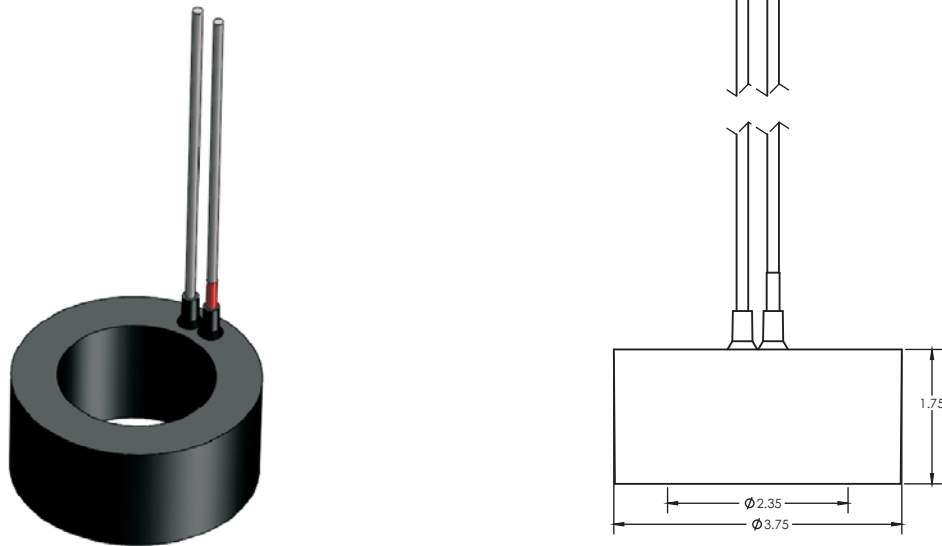


FREE-FLOODED RING PROJECTOR

SX148-00



The SX148-00 transducer is made with a piezoelectric ceramic ring and is comparable to the ITC-2044. The SX148-00 offers a primary resonance at 14 kHz and a second resonance, or 'squirter mode', at 8 kHz. The shape of the piezo element balances pressure, resulting in virtually unchanged performance at any depth. Free-flooded rings are efficient transducers, performing well at both transmitting and receiving, and can be assembled as an array to boost transmit power and/or increase directivity. The SX148-00 has a toroidal directivity pattern with a wide usable bandwidth between 7.5 – 12.5 kHz. Mounting options and connector types can be modified to meet customer requirements. Contact us to discuss your specific requirements.



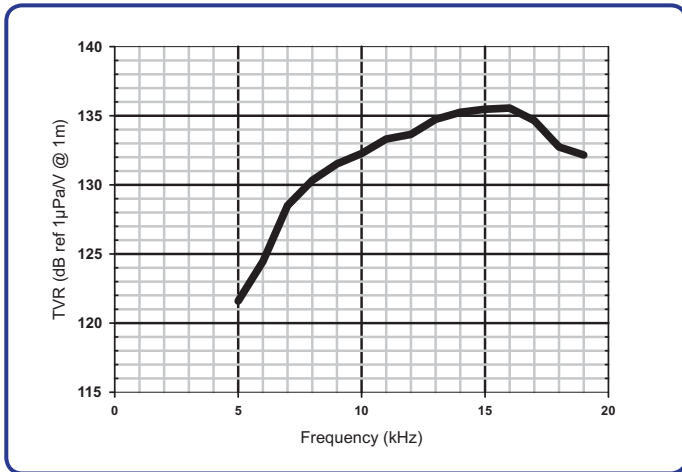
Primary Mode & Squirter Mode

TRANSMIT SENSITIVITY	134 & 131 dB re 1 μ Pa/V @ 1 m
RESONANCE FREQUENCY	14 & 8 kHz
CAPACITANCE	15.9 nF \pm 15% @ 20°C
OPERATING DEPTH	Unlimited

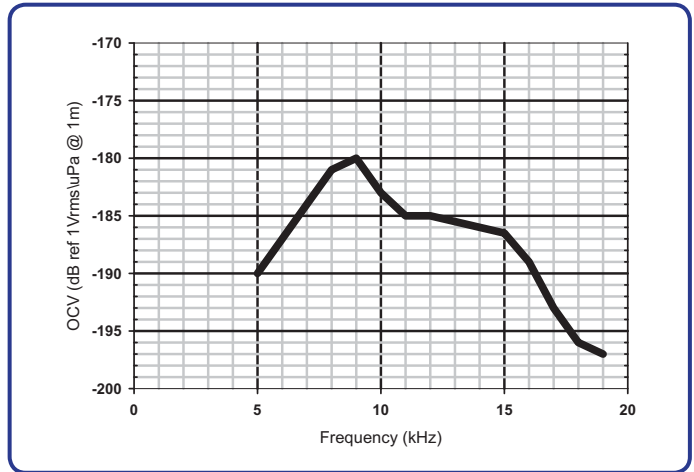


FREE-FLOODED RING PROJECTOR

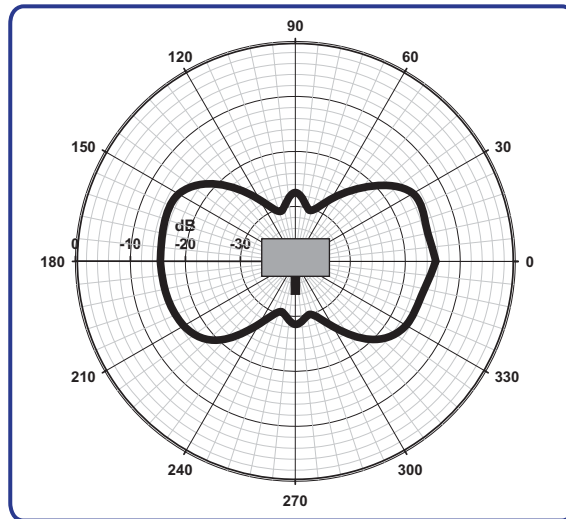
SX148-00



Transmit Voltage Response



Receive Voltage Response



Directivity Pattern at 10 kHz, Axial Plane

Contact Us via:
info@sensortechcanada.com +1-705-444-1440
www.sensortechcanada.com