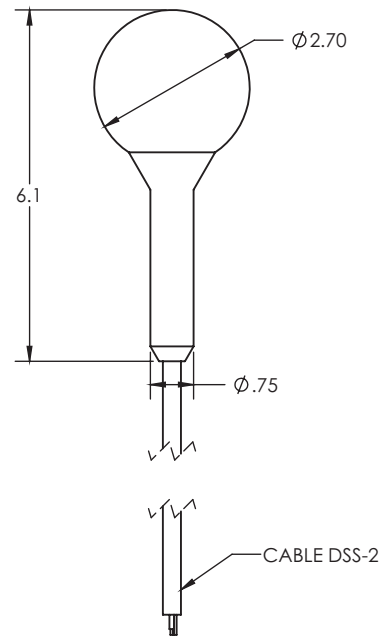


# SPHERICAL TRANSDUCER

## SX149-00



The SX149-00 transducer is made with a piezoelectric ceramic sphere and is comparable to the ITC-1032. The piezo element offers omnidirectional transmit capability at a 32 kHz resonance and a broadband receive capability from 1 - 50 kHz. The SX149-00 can be wired in series and custom preamps are also available to increase receive sensitivity. Piezo spheres are mechanically robust, allowing good depth ratings and better tolerances against mechanical shock. Mounting options and connector types can be modified to meet customer requirements. Contact us to discuss your specific requirements.



---

**TRANSMIT SENSITIVITY** 147 dB re 1  $\mu$ Pa/V @ 1 m

---

**RECEIVE SENSITIVITY** -195 dB re 1 V/ $\mu$ Pa @ 20°C

---

**RESONANCE FREQUENCY** 32 kHz

---

**CAPACITANCE** 32 nF  $\pm$  15% @ 20°C

---

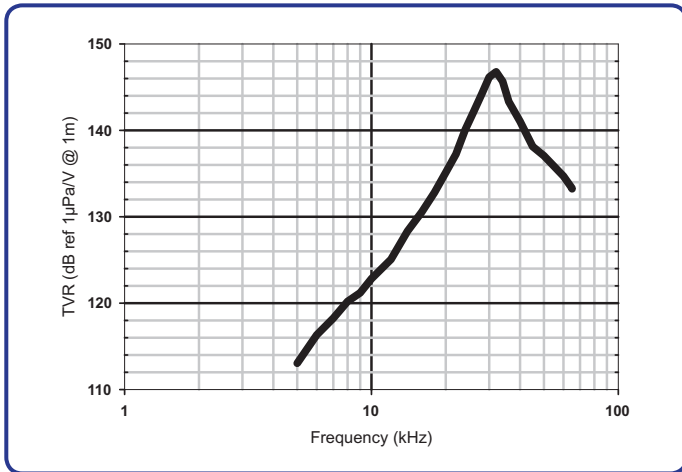
**OPERATING DEPTH** 1250 m

---

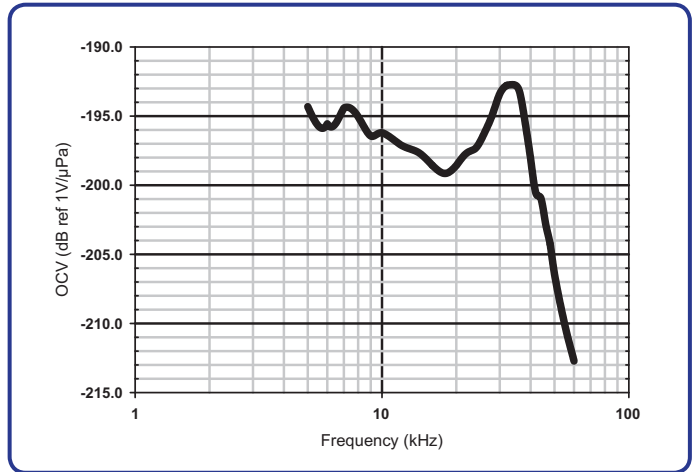


# SPHERICAL HYDROPHONE

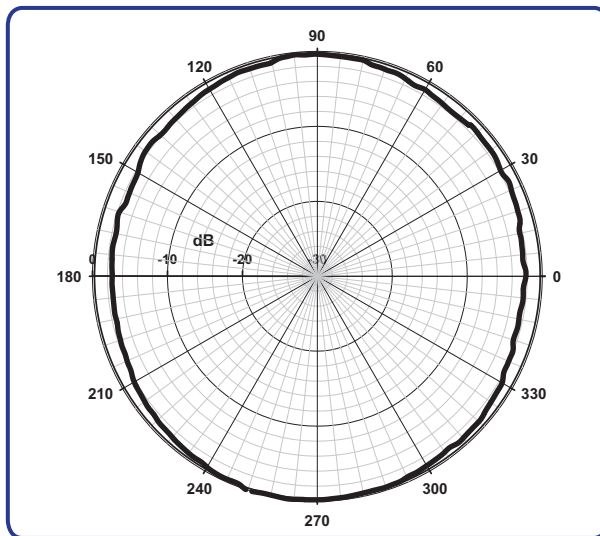
SX149-00



Transmit Voltage Response



Receive Voltage Response



Beam Pattern, Radial Plane at 10kHz

Contact Us via:

[info@sensortechcanada.com](mailto:info@sensortechcanada.com) +1-705-444-1440

[www.sensortechcanada.com](http://www.sensortechcanada.com)