

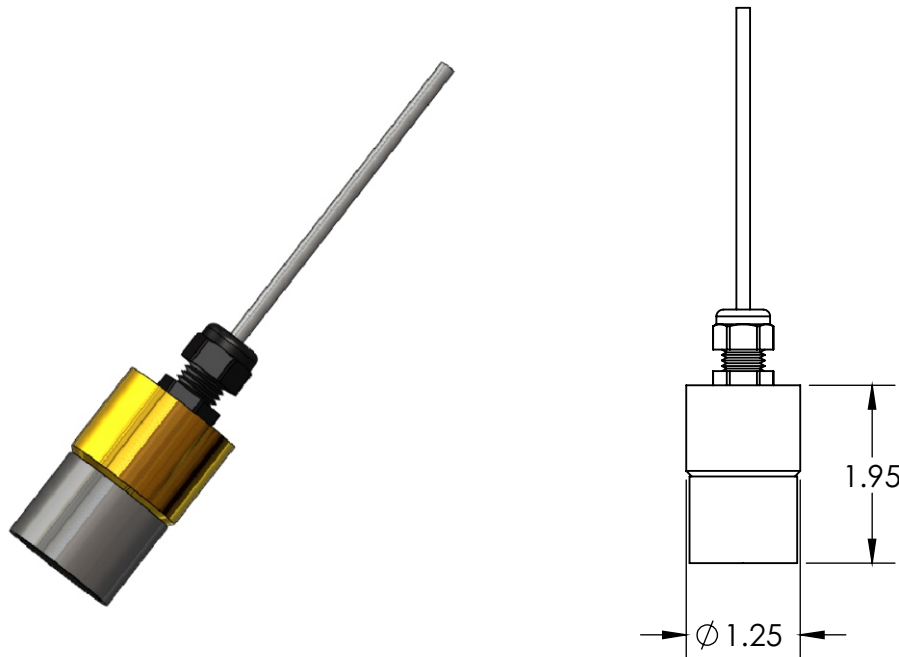
# SEISMIC HYDROPHONE

## SQ26-XX

**SENSOR**  
TECHNOLOGY

The SQ26-XX series of seismic hydrophone is made with a piezoelectric ceramic cylinder, and can detect frequencies over the entire audible range.

The piezo element offers a receive sensitivity of -193.5 dB over a broad working bandwidth of 1 Hz - 28 kHz. making it suitable for cetacean research or consumer-based applications. An optional integrated phantom powered preamp is available on this series of hydrophones. Additionally, mounting points, connectors, and other parameters can all be customized. Please contact us to discuss your specific requirements.

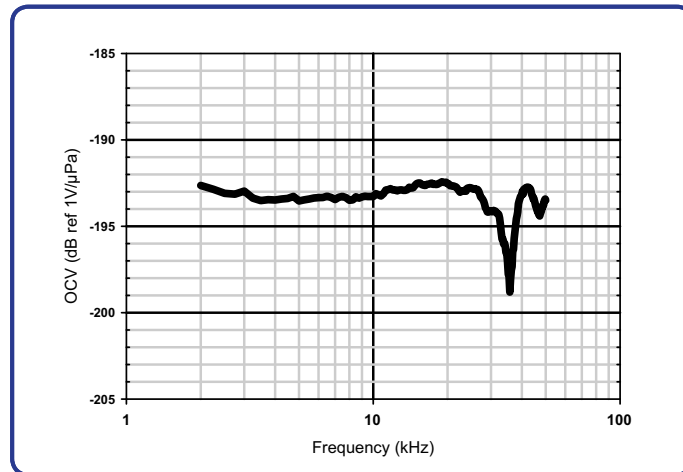


<b>RECEIVE SENSITIVITY</b>	-193.5 dB re 1 V/ $\mu$ Pa @ 20°C
<b>WORKING FREQUENCY</b>	1 Hz - 28 kHz
<b>CAPACITANCE</b>	1.3 nF $\pm$ 15% @ 20°C
<b>OPERATING DEPTH</b>	2000 m

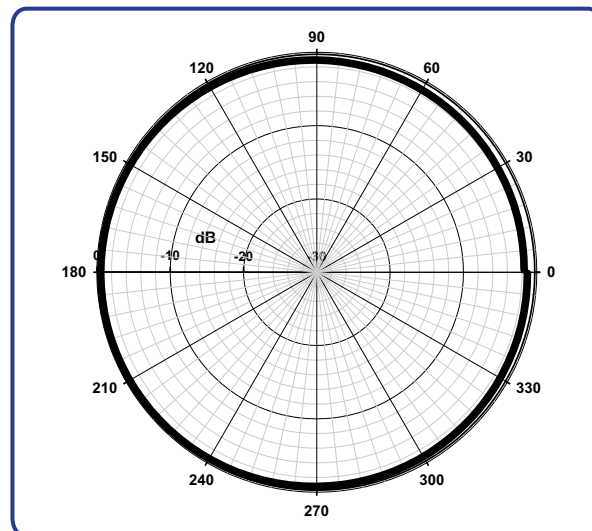


# SEISMIC HYDROPHONE

## SQ26-XX



Receive Voltage Response



Directivity Pattern at 10 kHz, Axial Plane

Contact Us via:  
[info@sensortechcanada.com](mailto:info@sensortechcanada.com) +1-705-444-1440  
[www.sensortechcanada.com](http://www.sensortechcanada.com)