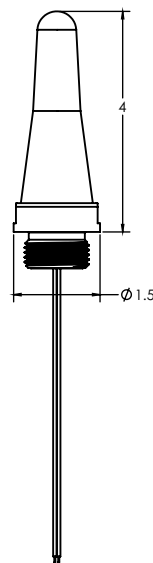
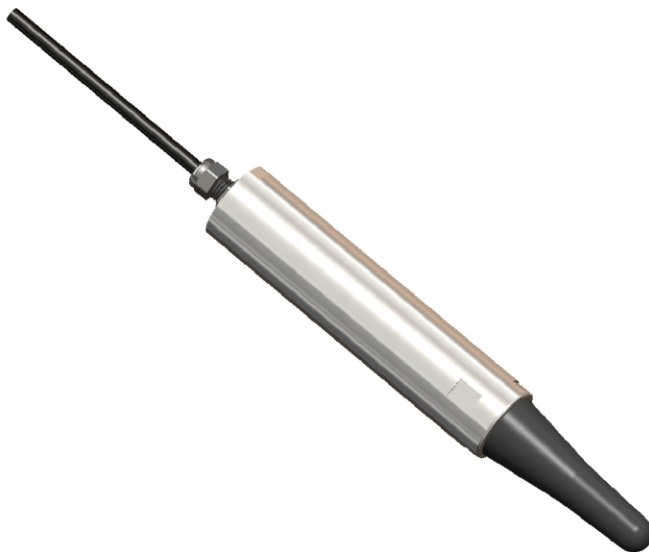


SPHERICAL HYDROPHONE

SQ48-00

SENSOR
TECHNOLOGY

The SQ48-00 hydrophone is made with a piezoelectric ceramic sphere. The piezo element offers transmit capability at a 145 kHz resonance and a broadband receive capability. Mounting options and connector types can be modified to meet customer requirements. The piezo sphere can also be wired in series, to increase receive sensitivity. The SQ48-00 can be paired with a preamplifier with a standard 40 dB gain, for an effective sensitivity of -170 dB. Custom preamps are available. Contact us to discuss your specific requirements.



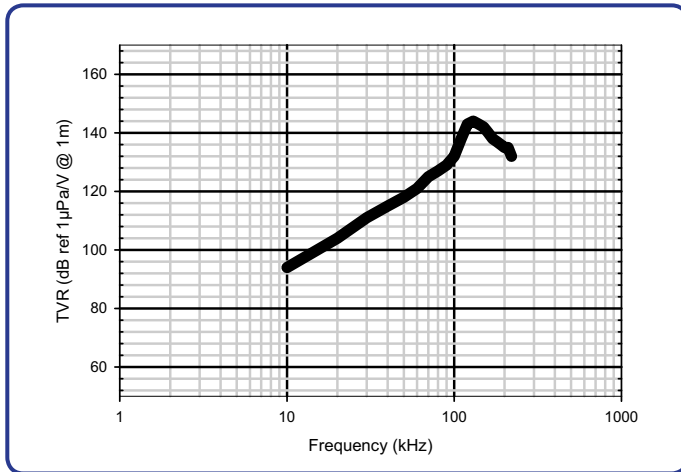
TRANSMIT SENSITIVITY	143 dB re 1 μ Pa/V @ 1 m
RECEIVE SENSITIVITY	-210.0 dB re 1 V/ μ Pa @ 20°C
RESONANCE FREQUENCY	145 kHz
CAPACITANCE	2.8 nF \pm 15% @ 20°C
OPERATING DEPTH	3500 m



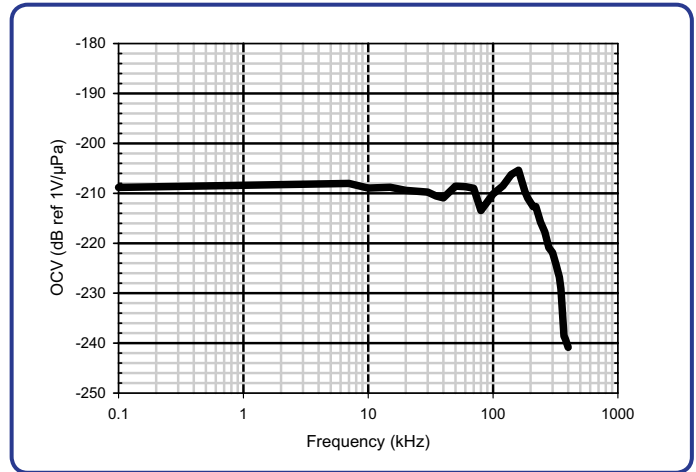
SPHERICAL HYDROPHONE

SQ48-00

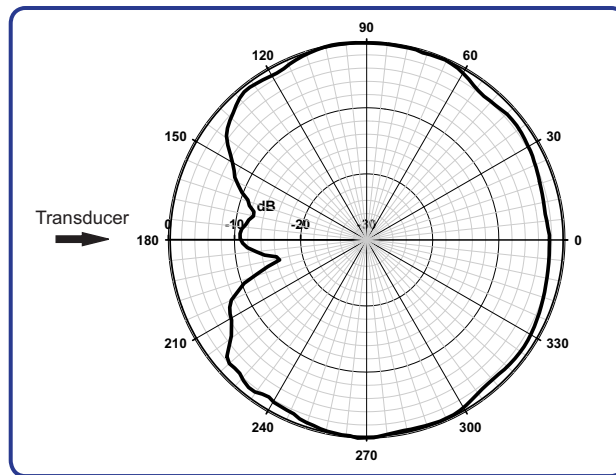
SENSOR
TECHNOLOGY



Transmit Voltage Response



Receive Voltage Response



Directivity Pattern at 50 kHz, Axial Plane

Contact Us via:

info@sensortechcanada.com +1-705-444-1440

www.sensortechcanada.com