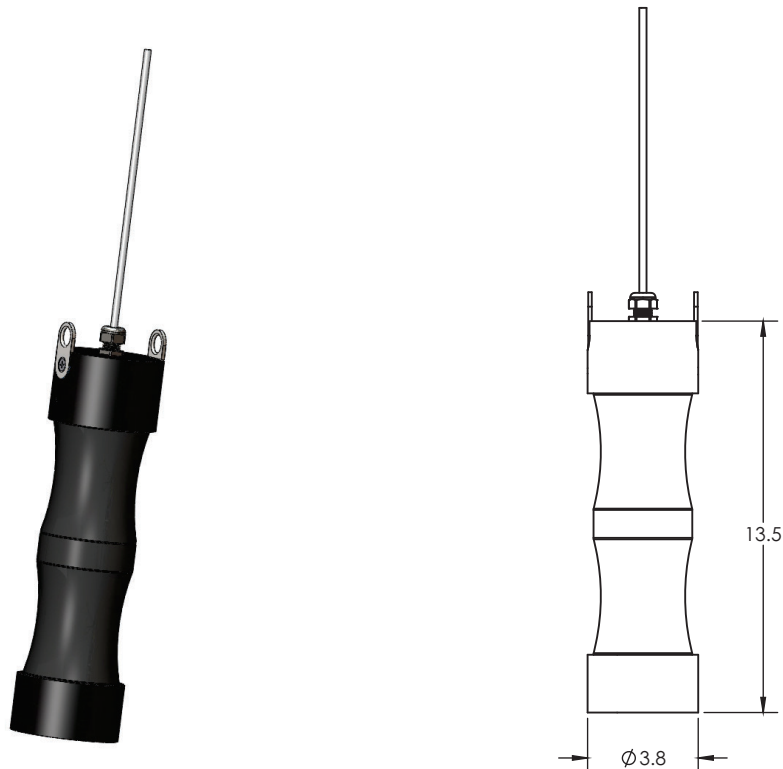


# LOW FREQUENCY TRANSDUCER

## SX05-XX

**SENSOR**  
TECHNOLOGY

The SX05-XX transducer series are flex-tensional broadband low frequency projectors with high output power. The design is a Class III barrel stave, and the unique flex-tensional resonance mode generates a low frequency in a relatively compact size. It is well suited for long distance communications and sonar applications. Mounting options and connector termination can be customized to meet your requirements. Contact us to discuss your specific requirements.



---

**RESONANCE FREQUENCY** 1.6kHz and 6.0kHz

---

**TRANSMIT SENSITIVITY** 121 dB re 1  $\mu$ Pa/V @ 1 m

---

**CAPACITANCE** 22 nF  $\pm$  15% @ 20°C

---

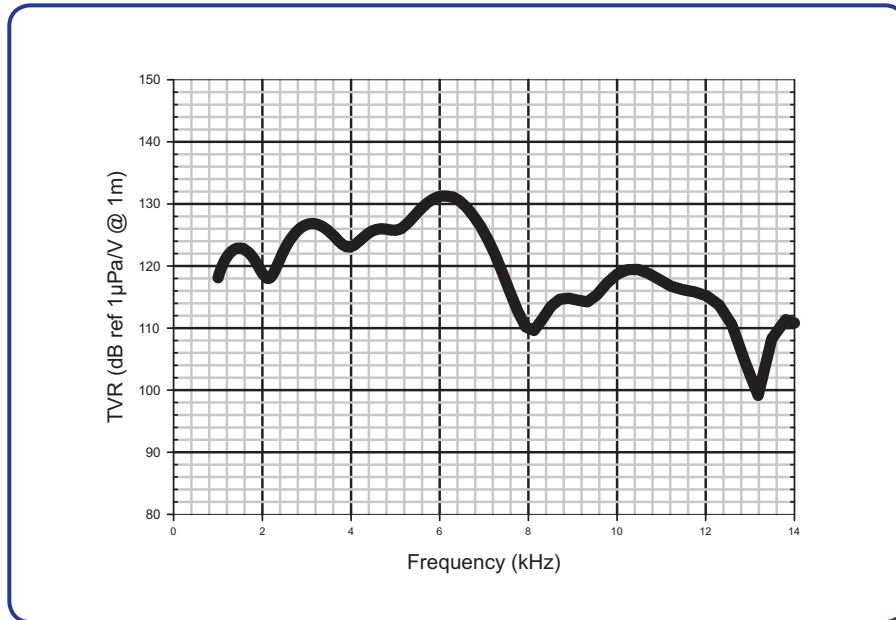
**OPERATING DEPTH** 150 m

---



# LOW FREQUENCY TRANSDUCER

SX05-XX



Transmit Voltage Response

Contact Us via:  
[info@sensortechcanada.com](mailto:info@sensortechcanada.com) +1-705-444-1440  
[www.sensortechcanada.com](http://www.sensortechcanada.com)