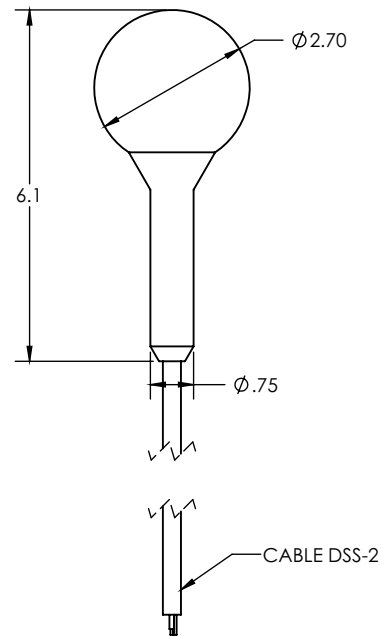


SPHERICAL TRANSDUCER

SX149-00

SENSOR
TECHNOLOGY

The SX149-00 transducer is made with a piezoelectric ceramic sphere and is comparable to the ITC-1032. The piezo element offers omnidirectional transmit capability at a 32 kHz resonance and a broadband receive capability from 1 - 50 kHz. The SX149-00 can be wired in series and custom preamps are also available to increase receive sensitivity. Piezo spheres are mechanically robust, allowing good depth ratings and better tolerances against mechanical shock. Mounting options and connector types can be modified to meet customer requirements. Contact us to discuss your specific requirements.



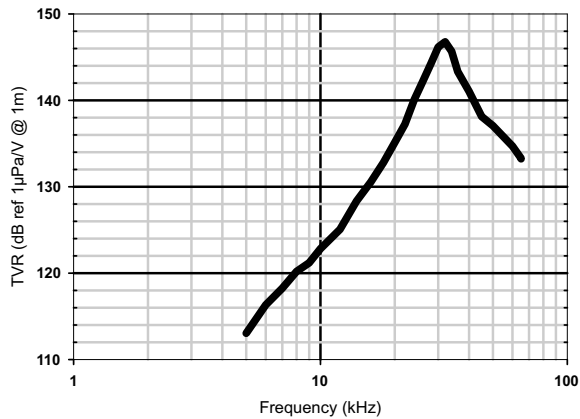
RESONANCE FREQUENCY	32 kHz
TRANSMIT SENSITIVITY	147 dB re 1 μ Pa/V @ 1 m
RECEIVE SENSITIVITY	-195 dB re 1 V/ μ Pa @ 20°C
CAPACITANCE	32 nF \pm 15% @ 20°C
OPERATING DEPTH	1250 m



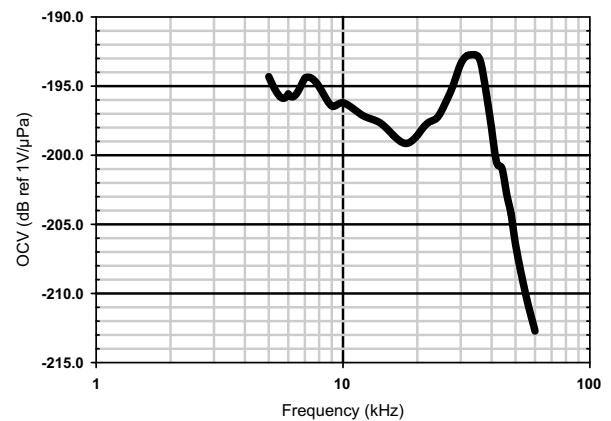
SPHERICAL TRANSDUCER

SX149-00

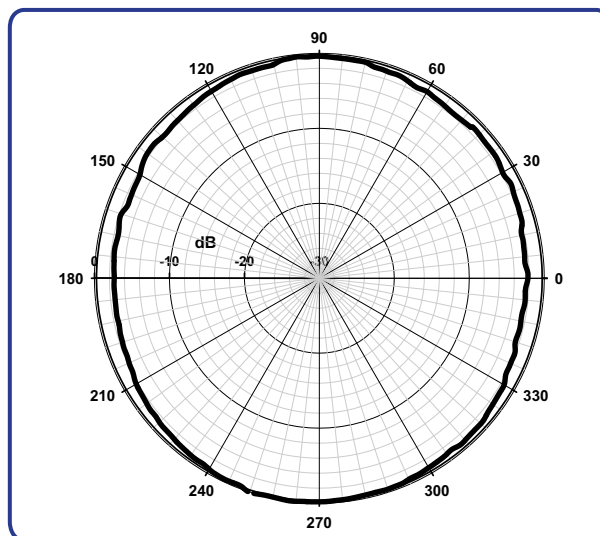
SENSOR
TECHNOLOGY



Transmit Voltage Response



Receive Voltage Response



Directivity Pattern at 10 kHz, Radial Plane

Contact Us via:
info@sensortechcanada.com +1-705-444-1440
www.sensortechcanada.com