

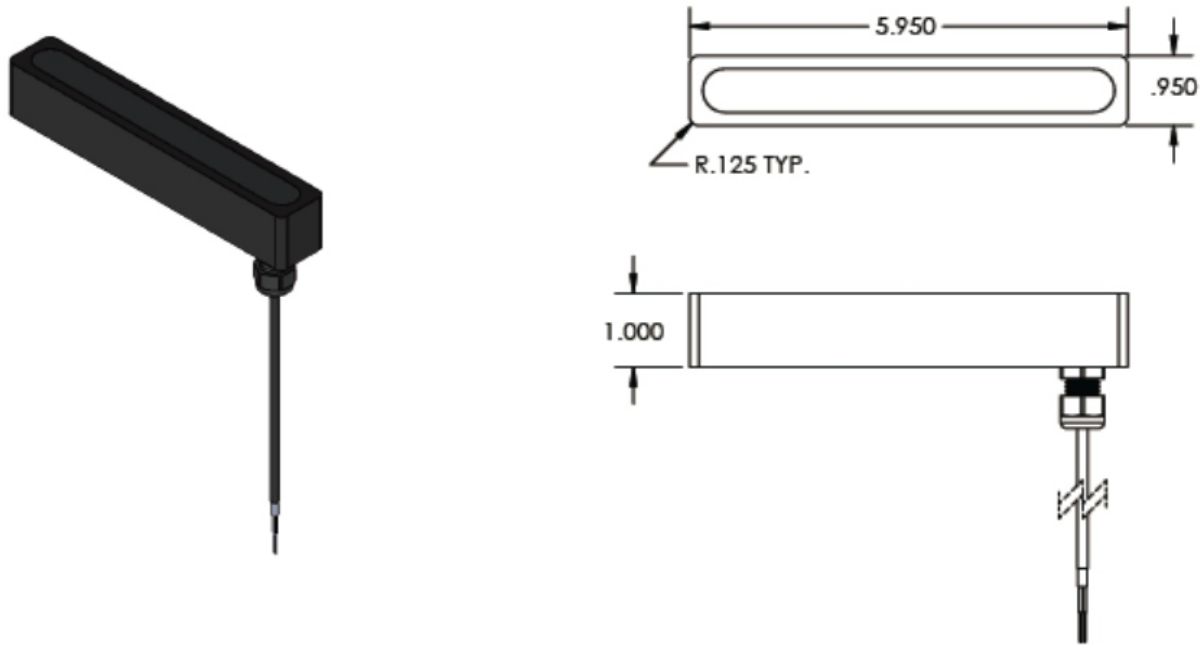
# SIDE SCAN TRANSDUCER

SX177 000 00



Sensor Technology offers a wide range of bespoke Side Scan Transducers covering a broad range of frequencies. These transducers are manufactured from monolithic and composite ceramic elements, to provide different directivity characteristics required for side scan sonar applications in single or multiple channels. Mounting options and connector types can be modified to meet customer requirements. Contact us to discuss your specific requirements.

The SX177 series transducer is single channel side scan sonar component tuned to 300kHz, which offers an excellent balance between range and resolution.



---

**RESONANCE FREQUENCY** 300kHz

---

**BEAM PATTERN** 2° / 37°

---

**OPERATING DEPTH** 50 m

---

