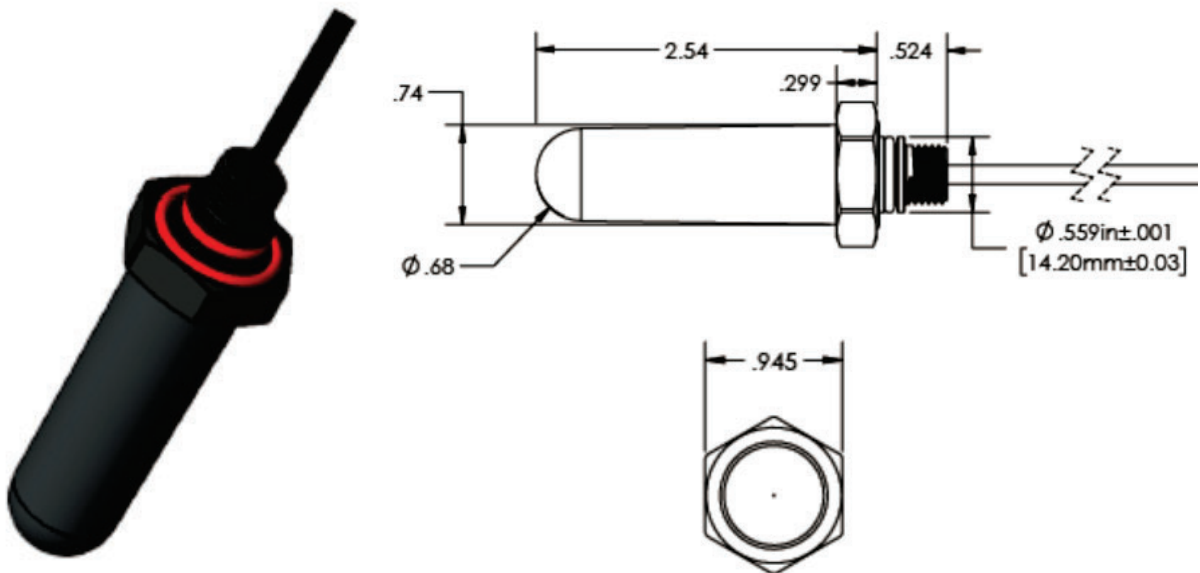


SEISMIC HYDROPHONE

Sq0094 004 00

SENSOR
TECHNOLOGY

The SQ0094 004 00 seismic hydrophone is made with a piezoelectric ceramic cylinder. The piezo element offers a receive sensitivity of -201 dB over a broad working bandwidth of 1 Hz - 30 kHz. Seismic hydrophones are designed specifically to maintain accuracy with large changes in both temperature and pressure that are common to deep ocean applications. Mounting points, connectors, and other parameters can all be customized. Please contact us to discuss your specific requirements.

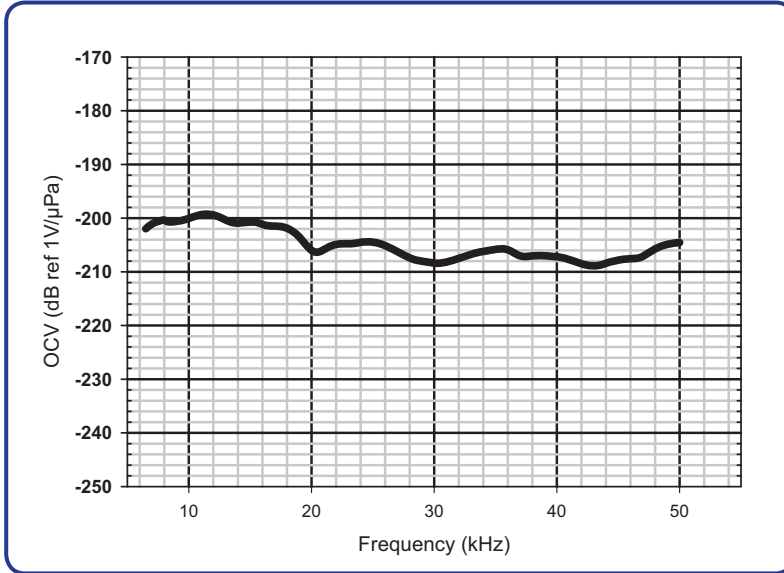


RECEIVE SENSITIVITY	-201.0 dB re 1 V/ μ Pa @ 20°C
WORKING FREQUENCY	1 Hz - 30 kHz
CAPACITANCE	10 nF \pm 15% @ 20°C
OPERATING DEPTH	3000 m

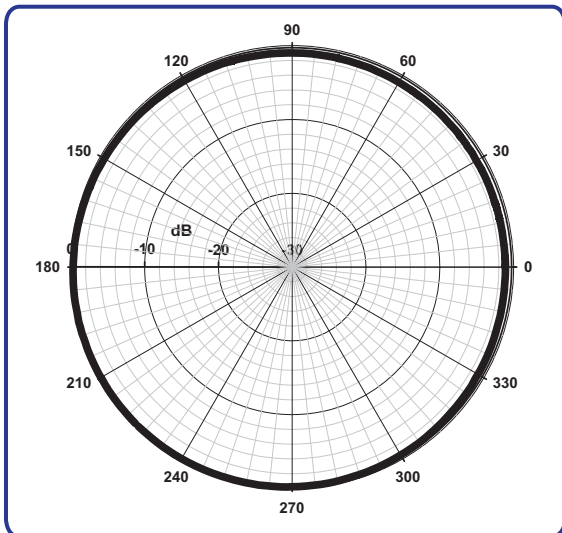


SEISMIC HYDROPHONE

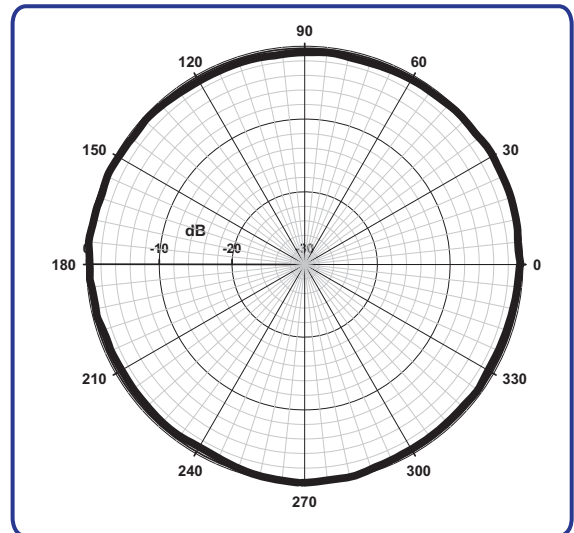
SQ0094 004 00



Receive Voltage Response



Directivity Pattern at 10 kHz, Axial Plane



Directivity Pattern at 10 kHz, Radial Plane

Contact Us via:
info@sensortechcanada.com +1-705-444-1440
www.sensortechcanada.com